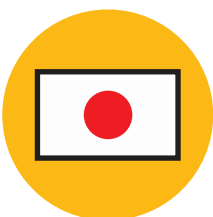
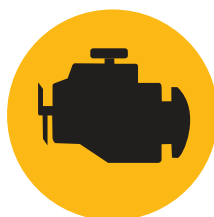


MOROOKA MST 300VD



MADE IN JAPAN



KUBOTA DIESEL



TWO DIRECTION SEAT

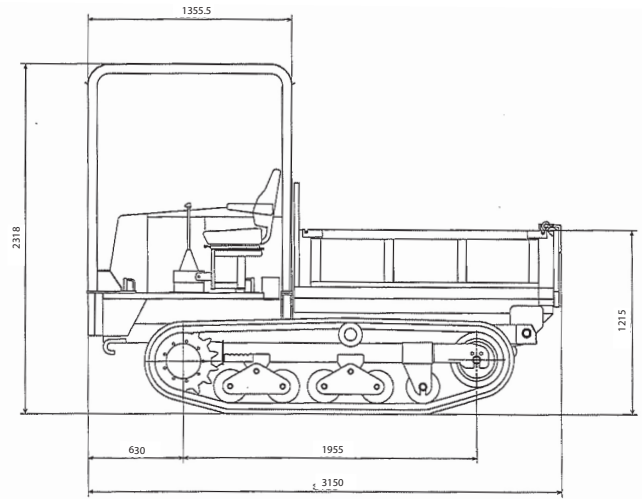


TRACK WIDTH

Specifications

Make	Morooka
Model	MST 300VD
Payload	2500kg
Unladen Weight	2685kg
Maximum Speed	9 KPH / 5.6 MPH
Engine Make & Model	Kubota V2203 T4i
Engine Type	4 cylinder liquid cooled diesel
Engine Power @ 2800rpm	34.5 KW / 47 HP
Ground Pressure Empty	29.4 KPA / 4.26 PSI
Ground Clearance	275 mm
Fuel Type	Diesel

MOROOKA
MST 300VD



Dimensions

Overall Length	3150 mm
Overall Width	1745 mm
Overall Height	2330 mm
Track Centres	1250 mm
Track Width	350 mm
Dump Body Length Internal	1675 mm
Dump Body Width Internal	1410 mm

